

0-071-60 / 61 6 Function LED Rear Combination Lamp with progressive indicator

Durite's LED 6 Function Rear Combination Lamp:

- Surface Mount
- Multi-voltage alternative for mixed fleet applications
- Highly durable polycarbonate lens, built to withstand the tough working conditions of any commercial vehicle

CE, E Marked ECE Approved.

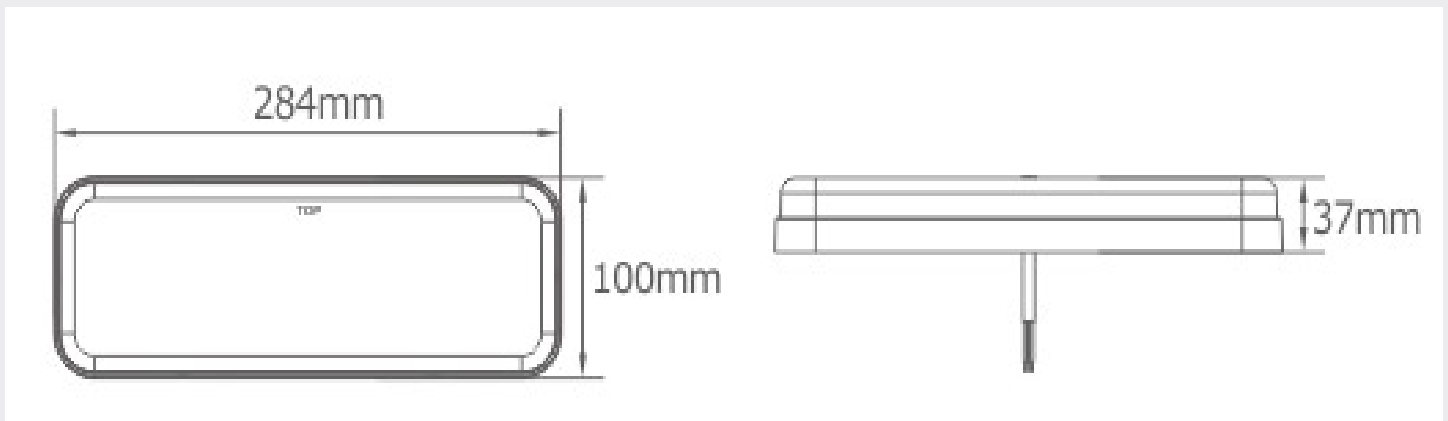


THE TRUSTED QUALITY BRAND FOR PROFESSIONALS

TECHNICAL SPECIFICATIONS

Type	LED 6 Function Rear Combo Lamp
Voltage	10-30VDC
Functions	STOP / TAIL / DI / REVERSE / FOG / REFLECTOR
Current Draw at 12VDC	Stop 0.1A / Tail 0.15A / DI 0.32A / RE 0.16A / FOG 0.28A
Current Draw 24VDC	Stop 0.05A / Tail 0.08A / DI 0.17A / RE 0.09A / FOG 0.14A
IP Rating	IP67
Material Construction	ABS with PC Lens
Weight	0.590Kg
Dimensions	See below diagram
Operating Temperature	-40° ~ 65°C
Storage Temperature	-40° ~ 85°C
Certificate	CE, ECE E Mark

TECHNICAL DRAWING

Additional Information:

Wire Colours:

- Red = STOP
- White = REVERSE
- Green = TAIL
- Yellow = DI
- Grey = FOG